



Application

- Can be used to transfer clean water or other liquids similar to water in physical and chemical properties
- Suitable for lifting water from the well, sprinkling irrigation in garden, pressure boosting of running water, and supporting equipment etc.

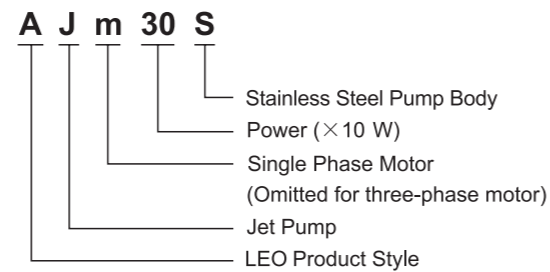
Pump

- Stainless steel pump body
- Support under special anti-rust treatment
- Stainless steel impeller
- AISI 304 shaft
- Max. liquid temperature: +40°C
- Max. suction: +9 m

Motor

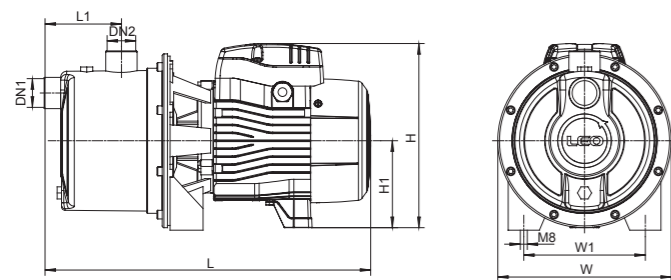
- C&U bearing
- Motor with copper winding
- Built-in thermal protector for single phase motor
- Insulation class: F
- Protection class: IPX4
- Max. ambient temperature: +40°C

Identification Codes



Technical Data

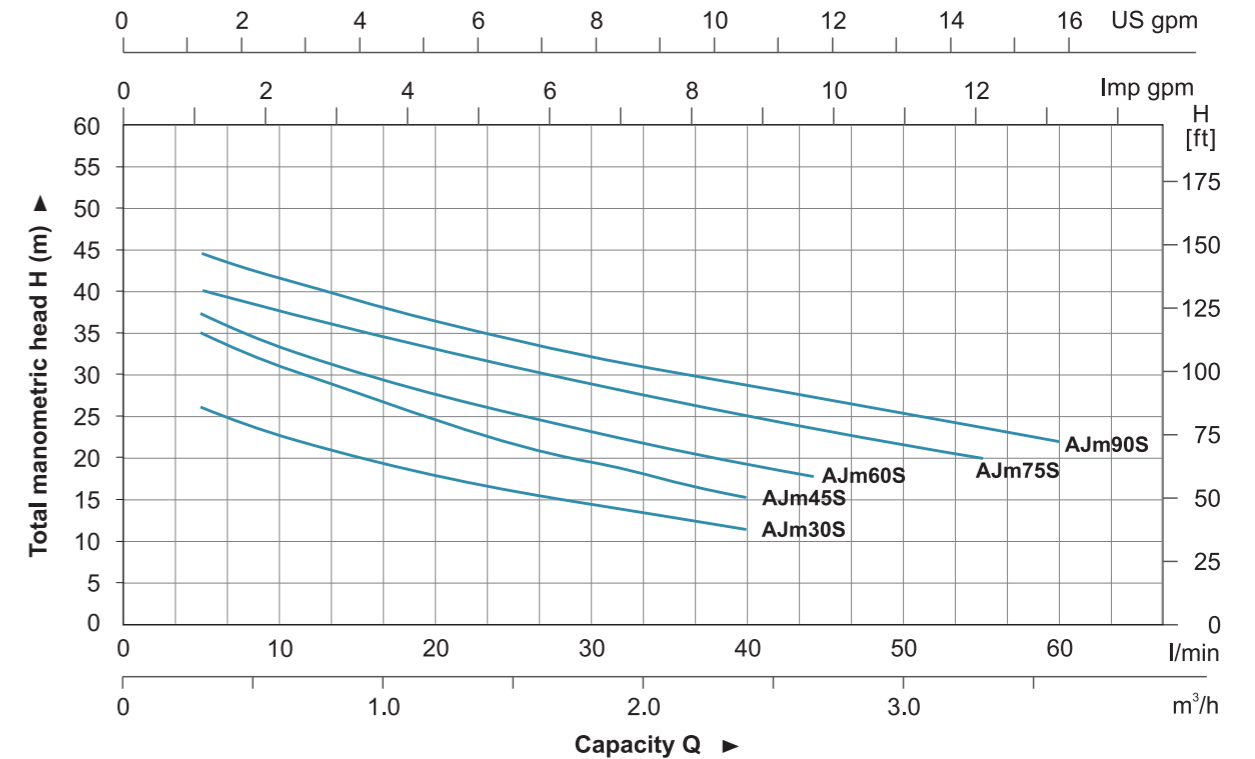
| MODEL | POWER | | Q (m³/h) | Q (l/min) | | | | | | | | | | | | |
|--------|-------|-----|----------|-----------|-----|-----|-----|-----|------|-----|-----|-----|-----|-----|-----|-----|
| | kW | HP | | 0 | 0.6 | 0.6 | 0.9 | 1.2 | 1.5 | 1.8 | 2.1 | 2.4 | 2.8 | 3.0 | 3.3 | 3.6 |
| AJm30S | 0.3 | 0.4 | H (m) | 30 | 26 | 23 | 20 | 18 | 16.5 | 15 | 13 | 11 | - | - | - | - |
| AJm45S | 0.45 | 0.6 | | 38 | 35 | 31 | 27 | 25 | 22 | 20 | 19 | 16 | - | - | - | - |
| AJm60S | 0.6 | 0.8 | | 43 | 37 | 33 | 30 | 27 | 25 | 23 | 21 | 20 | 18 | - | - | - |
| AJm75S | 0.75 | 1.0 | | 46 | 40 | 38 | 36 | 34 | 32 | 30 | 28 | 27 | 25 | 23 | 20 | - |
| AJm90S | 0.9 | 1.2 | | 48 | 44 | 42 | 39 | 37 | 35 | 34 | 31 | 31 | 29 | 28 | 26 | 22 |



Dimension

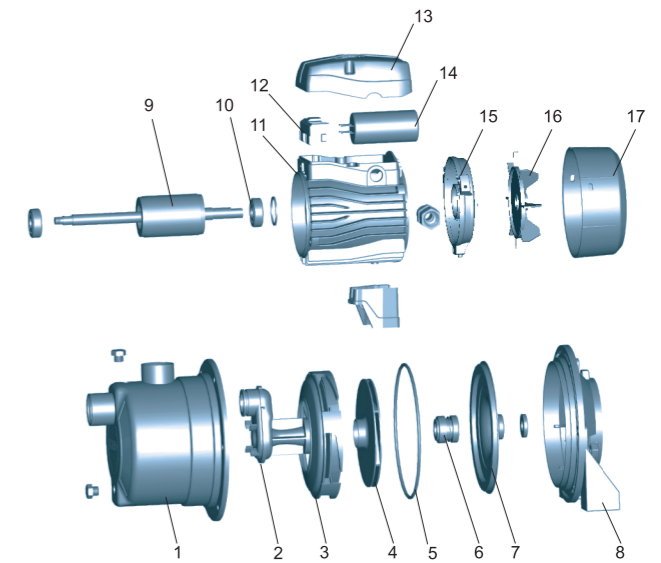
| Model | DN1 | DN2 | L (mm) | W (mm) | H (mm) | L ₁ (mm) | W ₁ (mm) | H ₁ (mm) |
|--------|-----|-----|--------|--------|--------|---------------------|---------------------|---------------------|
| AJm30S | 1" | 1" | 337 | 180 | 181.5 | 78 | 140 | 181.5 |
| AJm45S | | | 337 | 180 | 181.5 | 78 | 140 | 181.5 |
| AJm60S | | | 376 | 200 | 214 | 88.5 | 140 | 214 |
| AJm75S | | | 376 | 200 | 214 | 88.5 | 140 | 214 |
| AJm90S | | | 376 | 200 | 214 | 88.5 | 140 | 214 |

Hydraulic Performance Curves



Materials Table

| No. | Part | Material |
|-----|-----------------|----------------|
| 1 | Pump body | AISI 304 |
| 2 | Venturi tube | PPO |
| 3 | Diffuser | PPO |
| 4 | Impeller | AISI 304 |
| 5 | O-ring | NBR |
| 6 | Mechanical seal | Carbon/Ceramic |
| 7 | Bracket cover | AISI 304 |
| 8 | Support | ZL102 |
| 9 | Rotor | |
| 10 | Bearing | |
| 11 | Stator | |
| 12 | Terminal board | PC |
| 13 | Terminal box | ABS |
| 14 | Capacitor | |
| 15 | Rear cover | ZL102 |
| 16 | Fan | PP |
| 17 | Fan cover | PP |



Package Information

| Model | GW (Kgs) | L (mm) | W (mm) | H (mm) | Quantity (PCS/20 TEU) |
|--------|----------|--------|--------|--------|-----------------------|
| AJm30S | 6.0 | 350 | 180 | 220 | 1920 |
| AJm45S | 6.9 | 350 | 180 | 220 | 1920 |
| AJm60S | 9.2 | 420 | 228 | 257 | 1056 |
| AJm75S | 10.1 | 420 | 228 | 257 | 1056 |
| AJm90S | 10.7 | 420 | 228 | 257 | 1056 |

